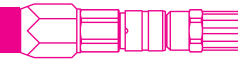
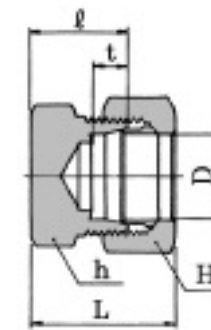
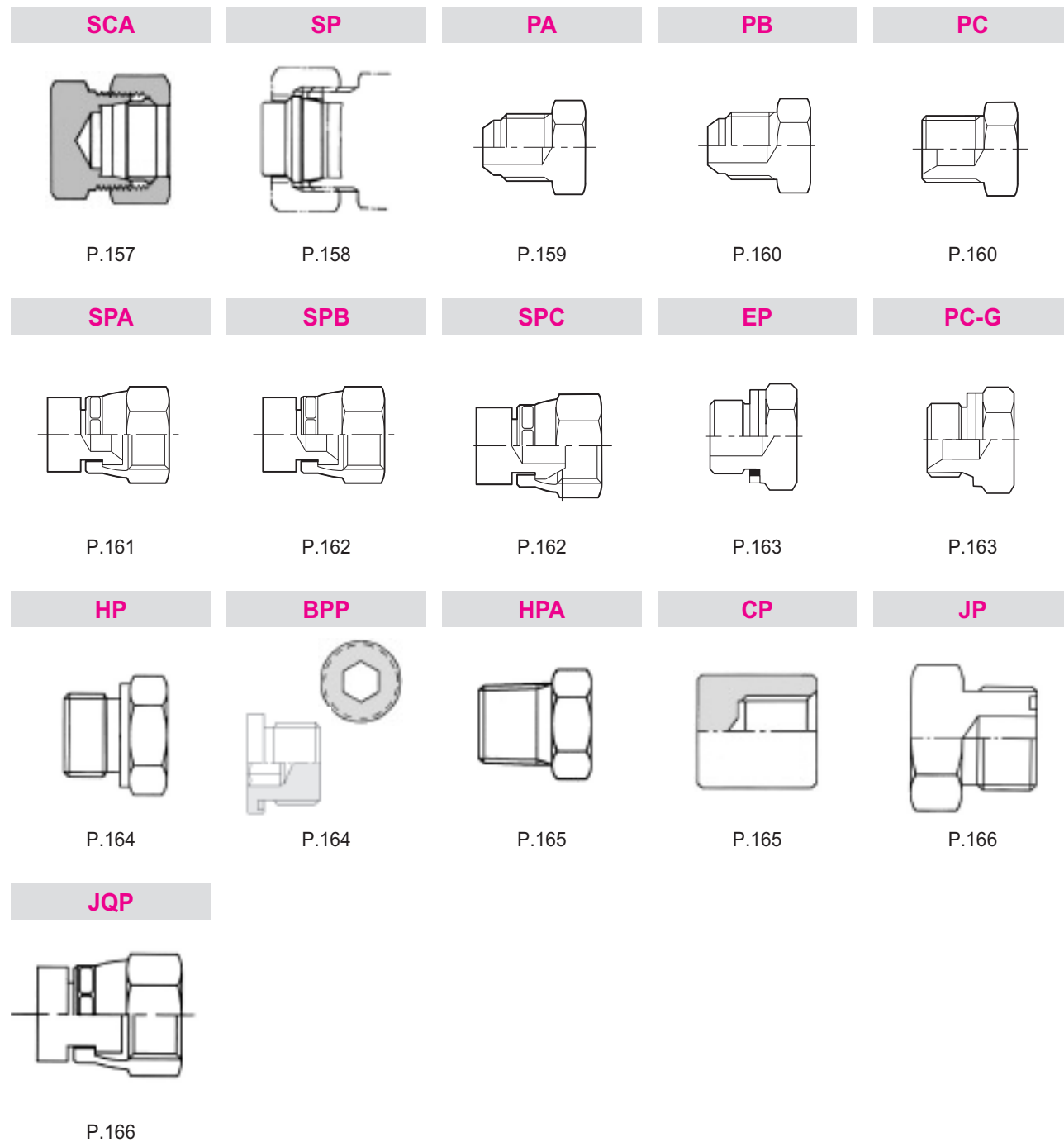




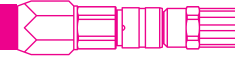
PLUG



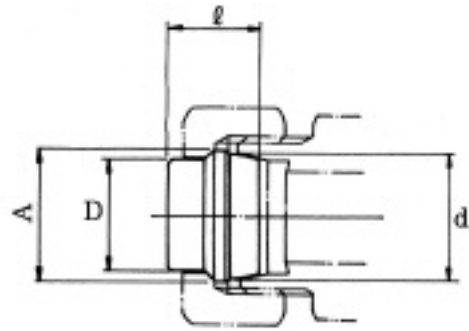
CAP
SCA



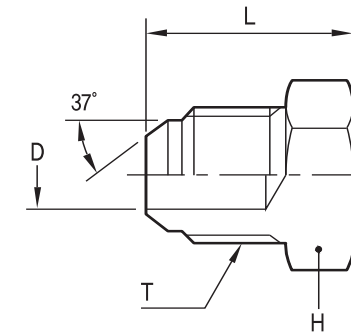
Part No.	Tube O.D	Width across flat		t	ℓ	Approx
	D	h	H			L
SCA-06	6	14	14	7	18	28.5
SCA-08	8	17	17	7	19	29.5
SCA-10	10	17	19	7	20	31.5
SCA-12	12	19	22	7	20	31.5
SCA-15	15	24	27	7.5	22	34.5
SCA-16	16	27	30	7.5	24	36.5
SCA-18	18	27	32	8	24	36.5
SCA-20	20	30	36	8	24	36.5
SCA-22	22	32	36	9	25	37.5
SCA-25	25	36	41	10	25	38.5
SCA-28	28	41	46	10	28	42
SCA-30	30	41	46	10	28	42.5
SCA-32	32	46	50	11	30	44.5



PLUG
SP



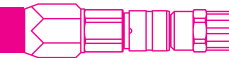
STRAIGHT PLUG 'A' TYPE
PA



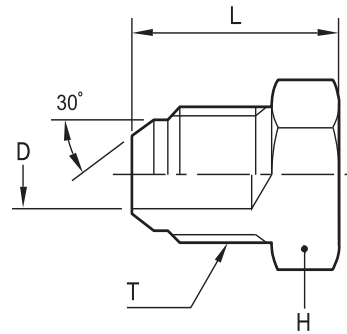
Part No.	Tube O.D	d	A	l
	D			
SP-06	6	8	9	13.5
SP-08	8	10	11	13.5
SP-10	10	12	13	14.5
SP-12	12	14	15	14.5
SP-15	15	17	18	16
SP-16	16	18	19	16
SP-18	18	20	21	17.5
SP-20	20	22	23	17.5
SP-22	22	24	25	17.5
SP-25	25	27.4	28.5	19
SP-28	28	30.4	31.5	19
SP-30	30	32.4	33.5	20
SP-32	32	34.4	35.5	20

Part No.	T (UNF)	D	H	L
PA-07U	7/16	4.5	12	20
PA-08U	1/2	5.5	14	21
PA-09U	9/16	7.0	16	23
PA-12U	3/4	10	22	25
PA-14U	7/8	12	24	29
PA-17U	1 1/16	15.5	27	33
PA-19U	1 3/16	18	32	33
PA-21U	1 5/16	21	35	36
PA-26U	1 5/8	27.5	43	41
PA-30U	1 7/8	33	50	44

※D can be option depend on customer's requirement.

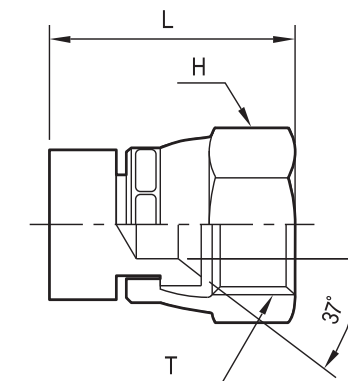


STRAIGHT PLUG 'B' TYPE
PB



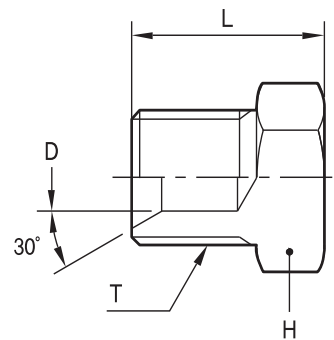
Part No.	T (BSPP)	H	L
PB-02G	1/8	12	20
PB-04G	1/4	14	21
PB-06G	3/8	19	26
PB-08G	1/2	22	29
PB-12G	3/4	27	32
PB-16G	1	35	36

PLUG FEMALE, SWIVEL NUT TYPE
SPA

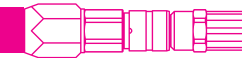


Part No.	T (UNF)	D	H	L
SPA-07U	7/16	4.5	16	24
SPA-08U	1/2	5.5	16	25
SPA-09U	9/16	7.0	19	27
SPA-12U	3/4	10	22	31
SPA-14U	7/8	12	27	32
SPA-17U	1 1/16	15.5	32	34
SPA-19U	1 3/16	18	35	34
SPA-21U	1 5/16	21	38	39
SPA-26U	1 5/8	27.5	50	40
SPA-30U	1 7/8	33	55	44

STRAIGHT PLUG 'C' TYPE
PC

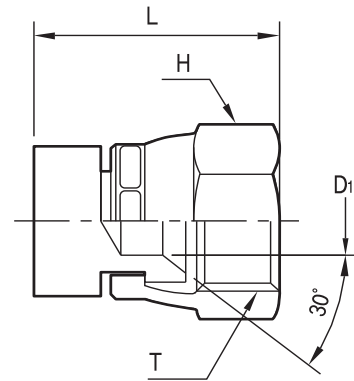


Part No.	T (BSPP)	D	H		L	
			h-a	h-b	h-a	h-b
PC-02G	1/8	4.5	12	14	16	14
PC-04G	1/4	5	14	19	19	18
PC-06G	3/8	8	19	22	22	20
PC-08G	1/2	11.5	22	27	28	22
PC-12G	3/4	16	27	32	30	28
PC-16G	1	21	35	41	34	33
PC-20G	1 1/4	27	43	50	38	35
PC-24G	1 1/2	33	50	55	43	38
PC-32G	2	43	63.5	70	52	46



PLUG FEMALE, SWIVEL NUT TYPE

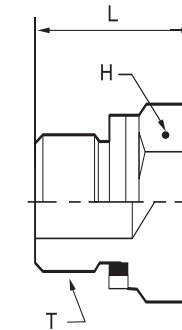
SPB



Part No.	T (BSPP)	D	H	L
SPB-04G	1/4	5.5	19	23.5
SPB-06G	3/8	8	22	27
SPB-08G	1/2	11.5	27	30
SPB-12G	3/4	15.5	32	36
SPB-16G	1	20	41	40.5
SPB-20G	1 1/4	27	50	43
SPB-24G	1 1/2	35	55	46.5

ED PLUG

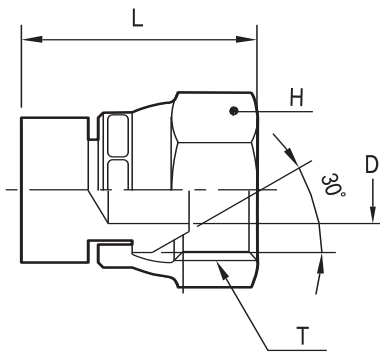
EP



Part No.	Threads	Dimensions mm	
	T (BSPP)	H	L
EP-04G	1/4	19	21
EP-06G	3/8	22	22
EP-08G	1/2	27	27
EP-12G	3/4	36	32
EP-16G	1	41	36
EP-20G	1 1/4	50	41
EP-24G	1 1/2	55	42

PLUG MALE, SWIVEL NUT TYPE

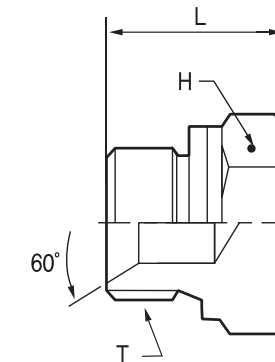
SPC



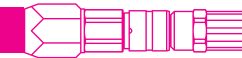
Part No.	T (BSPP)	D	H	L	Ø
SPC-02G	1/8	4.5	14	21	
SPC-04G	1/4	5.5	19	24	
SPC-06G	3/8	8	22	29	
SPC-08G	1/2	11.5	27	33	
SPC-12G	3/4	15.5	32	38	
SPC-16G	1	20	41	44	
SPC-20G	1 1/4	26	50	45	
SPC-24G	1 1/2	33	55	49	

MALE PLUG-G

PC-G

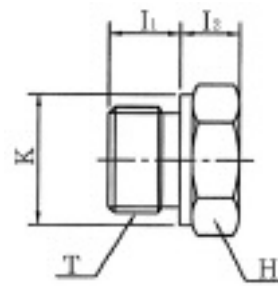


Part No.	Threads	Dimensions mm	
	T (UNF)	H	L
PC-G-04G	1/4	19	21
PC-G-06G	3/8	22	22
PC-G-08G	1/2	27	27
PC-G-12G	3/4	36	32
PC-G-16G	1	41	36
PC-G-20G	1 1/4	50	41
PC-G-24G	1 1/2	55	42



HEX HEAD PLUG

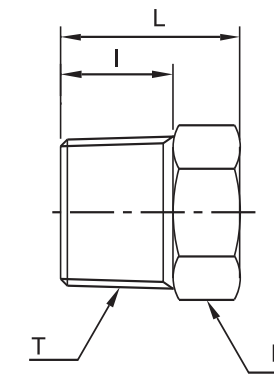
HP



Part No.	T (BSPP)	l	l ₂	K	H	O-RING
HP-02G	1/8	8	7	14	14	P8
HP-04G	1/4	12	9	19	19	P11
HP-06G	3/8	12	10	22	22	P14
HP-08G	1/2	14	13	27	27	P18
HP-12G	3/4	16	16	36	36	P24
HP-16G	1	18	18	41	41	P29
HP-20G	1 1/4	20	21	50	50	P38
HP-24G	1 1/2	21	21	55	55	P44
HP-32G	2	25	23	75	75	P56

HEX HEAD PLUG

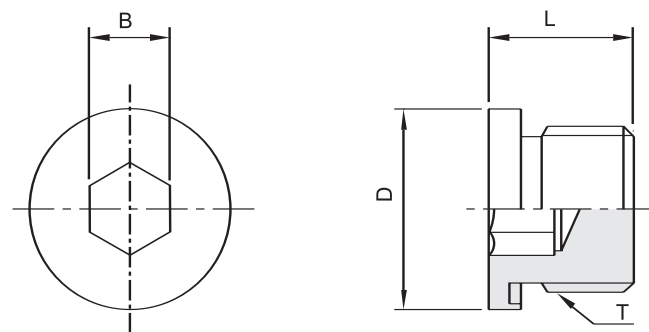
HPA



Part No.	T (BSPT)	l	L	H
HPA-04R	1/4	14	20.5	14
HPA-06R	3/8	16	24	19
HPA-08R	1/2	18.5	26.5	22
HPA-12R	3/4	20	32	27
HPA-16R	1	24	36	35
HPA-20R	1 1/4	25.5	41.5	43
HPA-24R	1 1/2	29	43	50
HPA-32R	2	31	51	65

BLANKING PLUG FOR PORTS

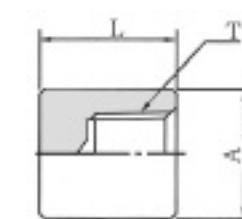
BPP



Part No.	T (BSPP)	D	L	B
BPP-02G	1/8	14	12.3	5
BPP-04G	1/4	19	17	6
BPP-06G	3/8	22	17	8
BPP-08G	1/2	27	19	10
BPP-12G	3/4	32	21.3	12
BPP-16G	1	40	22.5	17
BPP-20G	1 1/4	50	22.5	22
BPP-24G	1 1/2	55	22.8	24

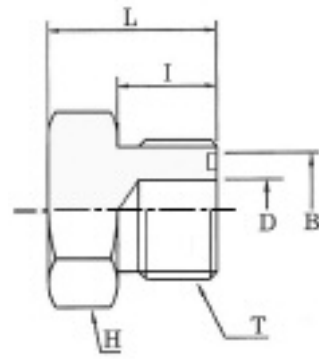
CAP

CP



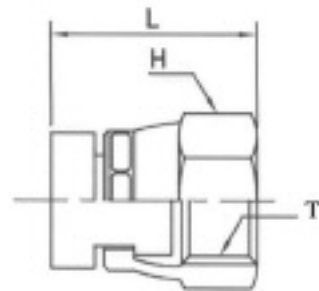
Part No.	T (BSPT)	A	L
CP-02R	1/8	16	19.1
CP-04R	1/4	20	25.4
CP-06R	3/8	24	25.4
CP-08R	1/2	30	31.8
CP-12R	3/4	36	36.6
CP-16R	1	46	41.1
CP-20R	1 1/4	60	44.5
CP-24R	1 1/2	65	47.8
CP-32R	2	80	60.5

PLUG
JP



Part No.	T (UNF)	D	B	H	L
JP-09J	9/16	4.5	11.00	14	16
JP-11J	11/16	6.5	12.60	19	19.4
JP-13J	13/16	9.5	15.77	22	20.8
JP-16J	1	12	19.00	27	23.5
JP-19J	1 3/16	15.3	22.17	32	29.2
JP-23J	1 7/16	20	26.87	38	31.5
JP-27J	1 11/16	26	33.25	46	31.5
JP-32J	2	32	41.17	55	31.5

PLUG
JQP



Part No.	T (UNF)	H	L
QP-09J	9/16	19	23
QP-11J	11/16	22	28
QP-13J	13/16	24	31
QP-16J	1	30	36
QP-19J	1 3/16	35	39
QP-23J	1 7/16	41	43
QP-27J	1 11/16	50	44
QP-32J	2	60	48