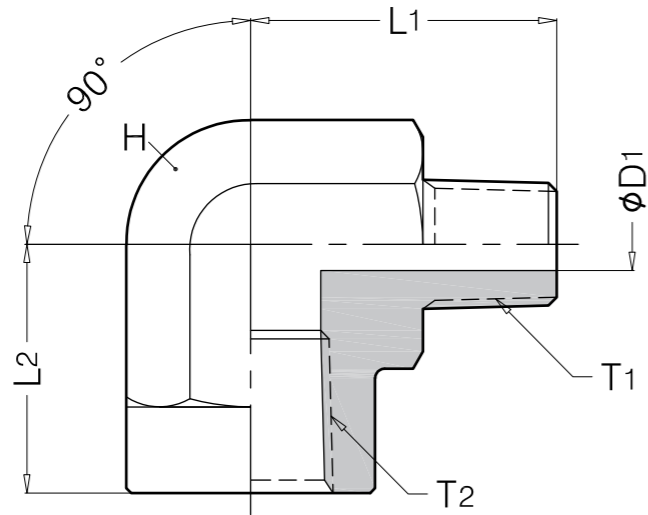


90° SERVICE ELBOW

**SEL**



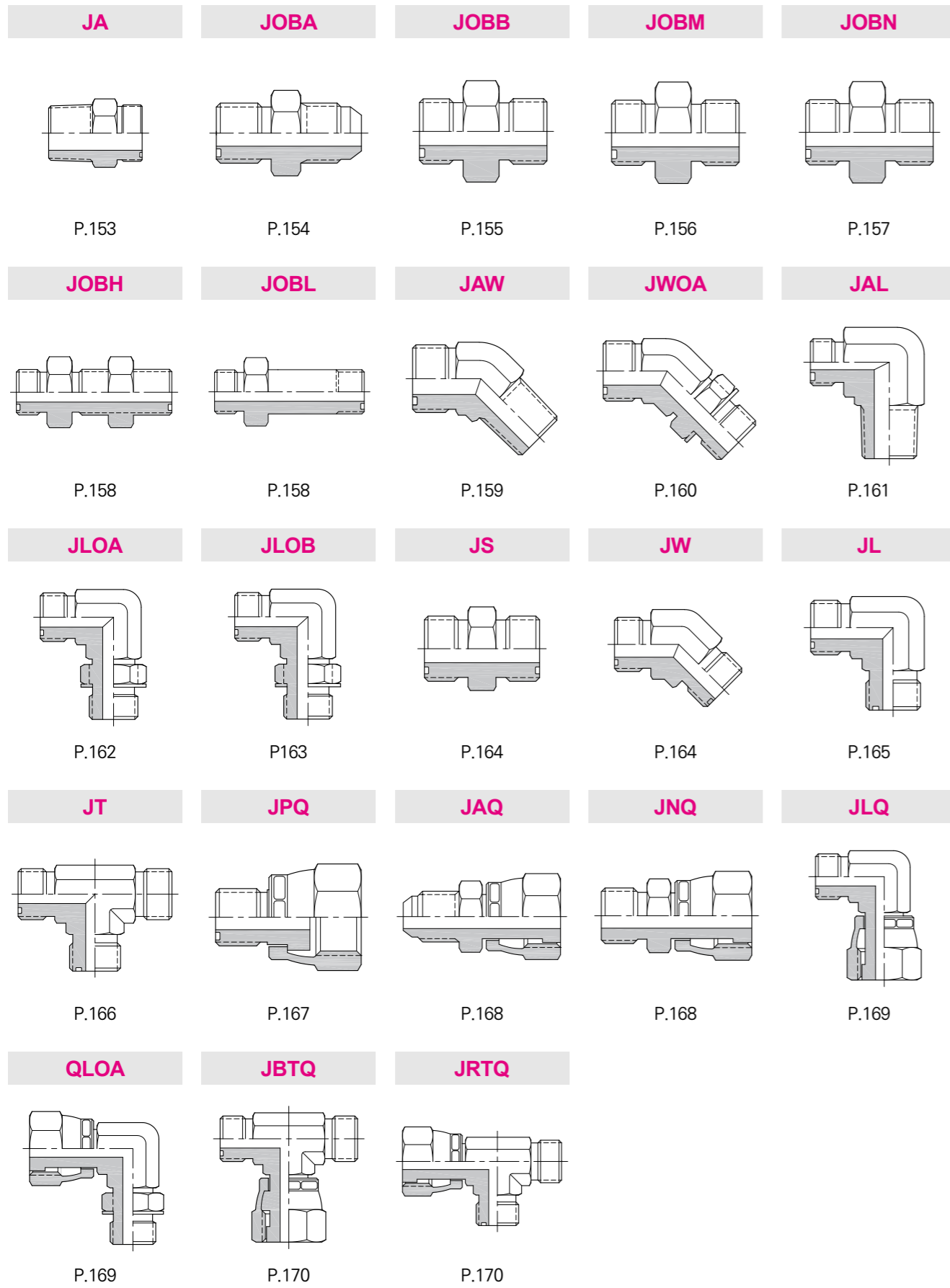
Part No.	T <sub>1</sub> (BSPT)	T <sub>2</sub> (BSPT)	H	L <sub>1</sub>	L <sub>2</sub>	D <sub>1</sub>
SEL 02R-02R	1/8	1/8	14	21	19	4.5
SEL 02R-04R	1/8	1/4	19	27	22	4.5
SEL 02R-06R	1/8	3/8	24	29	27	4.5
SEL 04R-04R	1/4	1/4	19	27	22	5.5
SEL 04R-06R	1/4	3/8	24	32	26	5.5
SEL 06R-04R	3/8	1/4	19	30	22	9
SEL 06R-06R	3/8	3/8	24	33	27	9
SEL 06R-08R	3/8	1/2	27	35	30	9
SEL 08R-06R	1/2	3/8	27	38	30	11.5
SEL 08R-08R	1/2	1/2	27	37	30	11.5
SEL 08R-12R	1/2	3/4	35	43	34	11.5
SEL 12R-12R	3/4	3/4	35	44	34	15.5
SEL 12R-16R	3/4	1	41	48	40	15.5
SEL 16R-12R	1	3/4	41	48	40	21
SEL 16R-16R	1	1	41	48	40	21
SEL 20R-20R	1 1/4	1 1/4	50	65	45	26
SEL 24R-24R	1 1/2	1 1/2	60	65	59	33
SEL 32R-32R	2	2	70	72	60	43



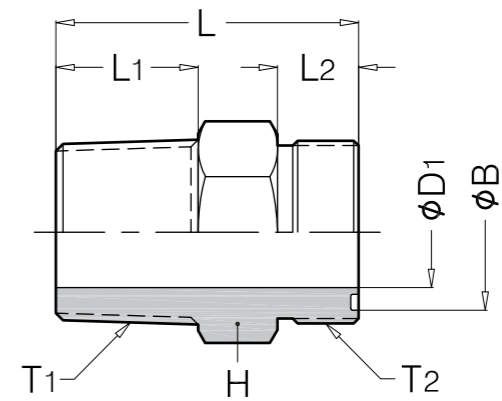
O-Ring FACE SEAL FITTINGS



These special fittings are designed to meet working pressure up to 6000psi as SAE J1453 specification or S20C ~ S25C material. Sekwang produces two types of ORFS fittings with a standard O-ring groove and with a dovetail O-ring groove. Sekwang has excellent record of timely delivery for elbow, tee and cross type fittings.

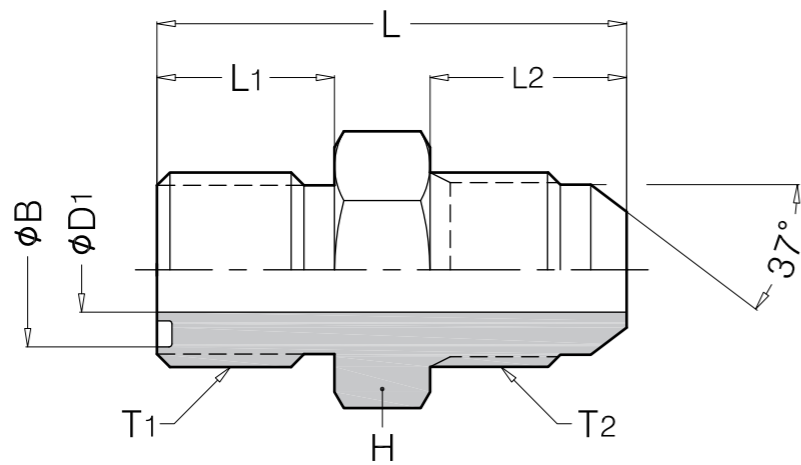


O-RING, ADAPTOR  
**JA**



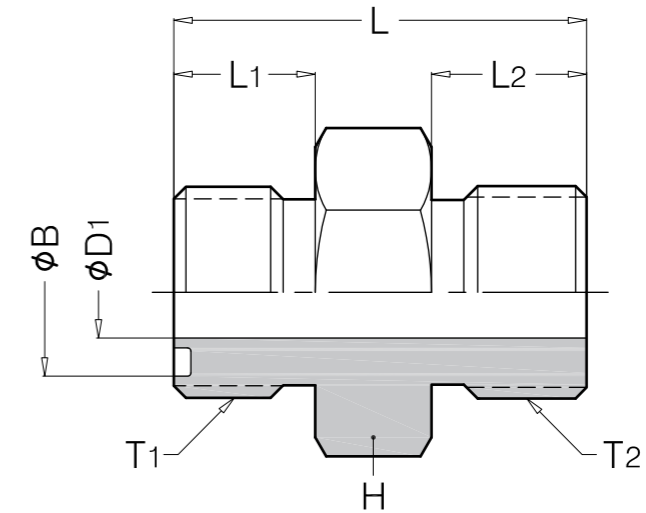
Part No.	T <sub>1</sub> (BSPT)	T <sub>2</sub> (UNF)	H	L	L <sub>1</sub>	L <sub>2</sub>	D <sub>1</sub>	B
JA 02R-09J	1/8	9/16	17	28	11	10	4.5	11
JA 04R-09J	1/4	9/16	16	32	14	10	4.5	11
JA 04R-11J	1/4	11/16	19	34.5	14	11.5	6.5	12.8
JA 06R-09J	3/8	9/16	19	35	16	10	4.5	11
JA 06R-11J	3/8	11/16	19	36.5	16	11.5	6.5	12.8
JA 06R-13J	3/8	13/16	22	38	16	13	9	15.97
JA 08R-11J	1/2	11/16	22	39.5	19	11.5	6.5	12.8
JA 08R-13J	1/2	13/16	22	41	19	13	9.5	15.97
JA 08R-16J	1/2	1	27	44.5	19	15.5	11.5	19.2
JA 08R-19J	1/2	1 3/16	32	48	19	17	15.3	22.37
JA 12R-13J	3/4	13/16	27	45	20	13	9.5	15.97
JA 12R-19J	3/4	1 3/16	32	49	20	17	15.3	22.37
JA 12R-23J	3/4	1 7/16	38	51	20	18	20	27.1
JA 16R-16J	1	1	35	51.5	23	15.5	12	19.2
JA 16R-19J	1	1 3/16	38	53	23	17	15.3	22.37
JA 16R-23J	1	1 7/16	41	54	23	18	20	27.1
JA 16R-27J	1	1 11/16	46	54	23	18	26	33.45
JA 20R-23J	1 1/4	1 7/16	43	54	26	18	20	27.1
JA 20R-27J	1 1/4	1 11/16	46	58	26	18	26	33.45

O-RING, ADAPTOR  
**JOBA**



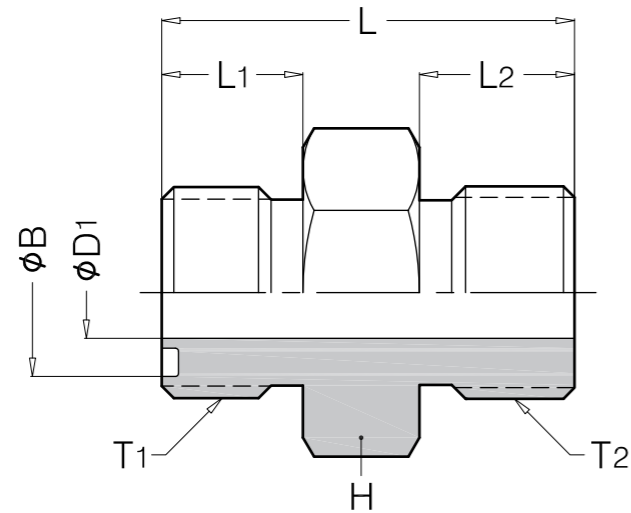
Part No.	T <sub>1</sub> (UNF)	T <sub>2</sub> (UNF)	H	L	L <sub>1</sub>	L <sub>2</sub>	D <sub>1</sub>	B
JOBA 09J-07U	9/16	7/16	17	32	10	15	4.5	11
JOBA 09J-12U	9/16	3/4	19	37	10	18	4.5	11
JOBA 11J-09U	11/16	9/16	19	35.5	11.5	16	6.5	12.8
JOBA 13J-12U	13/16	3/4	22	40	13	18	9.5	15.97
JOBA 13J-14U	13/16	7/8	24	44	13	21	9.5	15.97
JOBA 13J-17U	13/16	1 1/16	27	47.9	13	21.9	9.5	15.77
JOBA 16J-14U	1	7/8	27	46.5	15.5	21	12	19.2
JOBA 19J-17U	1 3/16	1 1/16	32	51	17	24	15.5	22.37
JOBA 19J-21U	1 3/16	1 5/16	35	54	17	25	15.3	22.37
JOBA 23J-21U	1 7/16	1 5/16	41	56	18	25	20	27.1
JOBA 27J-26U	1 11/16	1 5/8	46	60	18	28	26	33.45

O-RING BOSS, ADAPTOR  
**JOBB**



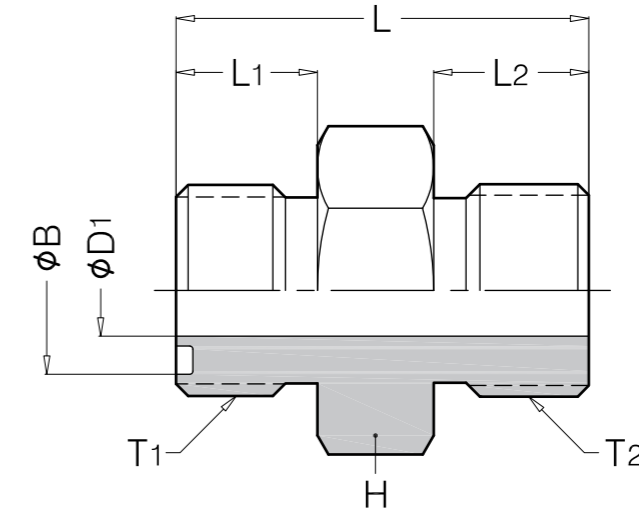
Part No.	T <sub>1</sub> (UNF)	T <sub>2</sub> (BSPP)	H	L	L <sub>1</sub>	L <sub>2</sub>	D <sub>1</sub>	B
JOBB 09J-04G	9/16	1/4	19	30	10	12	4.5	11
JOBB 09J-06G	9/16	3/8	22	31	10	12	4.5	11
JOBB 09J-08G	9/16	1/2	27	33	10	14	4.5	11
JOBB 11J-04G	11/16	1/4	19	32.5	11.5	12	6.5	12.8
JOBB 11J-06G	11/16	3/8	22	32.5	11.5	12	6.5	12.8
JOBB 11J-08G	11/16	1/2	27	36	11.5	14	6.5	12.8
JOBB 13J-06G	13/16	3/8	22	34	13	12	9.5	15.97
JOBB 13J-08G	13/16	1/2	27	38.5	13	14	9.5	15.97
JOBB 13J-12G	13/16	3/4	32	41	13	16	9.5	15.97
JOBB 16J-08G	1	1/2	27	41	15.5	14	12	19.2
JOBB 16J-12G	1	3/4	32	43.5	15.5	16	12	19.2
JOBB 19J-06G	1 3/16	3/8	32	41	17	12	15.3	22.37
JOBB 19J-08G	1 3/16	1/2	32	43	17	14	15.3	22.37
JOBB 19J-12G	1 3/16	3/4	36	45	17	16	15.3	22.37
JOBB 19J-16G	1 3/16	1	41	48	17	18	15.3	22.37
JOBB 23J-16G	1 7/16	1	41	50	18	18	20	27.1
JOBB 23J-20G	1 7/16	1 1/4	50	57	18	20	20	27.1
JOBB 27J-16G	1 11/16	1	46	50	18	18	26	33.45
JOBB 27J-20G	1 11/16	1 1/4	50	52	18	20	26	33.45
JOBB 27J-24G	1 11/16	1 1/2	55	56	18	22	26	33.45
JOBB 32J-24G	2	1 1/2	55	56	18	22	32	41.37

O-RING BOSS, ADAPTOR  
**JOBM**



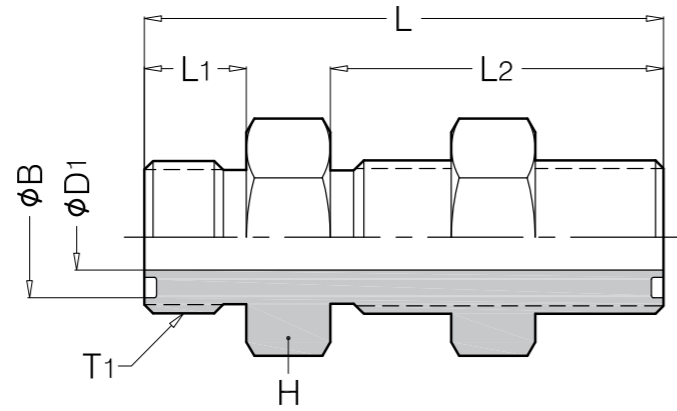
Part No.	T <sub>1</sub> (UNF)	T <sub>2</sub> (METRIC)	H	L	L <sub>1</sub>	L <sub>2</sub>	D <sub>1</sub>	B
JOBM 09J-M10	9/16	M10×1.0	17	26	10	9	4.5	11
JOBM 09J-M12	9/16	M12×1.5	17	28	10	11	4.5	11
JOBM 11J-M14	11/16	M14×1.5	19	31	11.5	11	6.5	12.8
JOBM 11J-M16	11/16	M16×1.5	22	33	11.5	12.5	6.5	12.8
JOBM 13J-M18	13/16	M18×1.5	24	36	13	14	9.5	15.97
JOBM 13J-M22	13/16	M22×1.5	27	38	13	15	9.5	15.97
JOBM 16J-M22	1	M22×1.5	27	40.5	15.5	15	12	19.2
JOBM 16J-M27	1	M27×2.0	32	46	15.5	18.5	12	19.2
JOBM 19J-M27	1 3/16	M27×2.0	32	47.5	17	18.5	15.3	22.37
JOBM 19J-M33	1 3/16	M33×2.0	41	49	17	18.5	15.3	22.37
JOBM 23J-M33	1 7/16	M33×2.0	41	50	18	18.5	20	27.1
JOBM 23J-M42	1 7/16	M42×2.0	50	52	18	19	20	27.1
JOBM 27J-M42	1 11/16	M42×2.0	50	52	18	19	26	33.45
JOBM 27J-M48	1 11/16	M48×2.0	55	56	18	22	26	33.45

O-RING BOSS, ADAPTOR  
**JOBN**



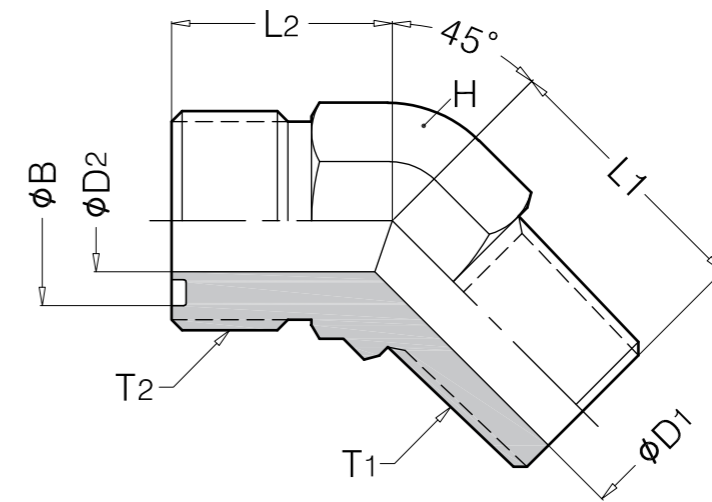
Part No.	T <sub>1</sub> (UNF)	T <sub>2</sub> (UNF)	H	L	L <sub>1</sub>	L <sub>2</sub>	D <sub>1</sub>	B
JOBN 09J-07U	9/16	7/16	16	28.5	10	9.5	4.5	11
JOBN 09J-09U	9/16	9/16	17	27	10	10	4.5	11
JOBN 09J-12U	9/16	3/4	22	30.5	10	11.5	4.5	11
JOBN 09J-14U	9/16	7/8	27	33	10	13	4.5	11
JOBN 11J-08U	11/16	1/2	19	31	11.5	9.5	6.5	12.8
JOBN 11J-09U	11/16	9/16	19	32	11.5	10	6.5	12.8
JOBN 11J-12U	11/16	3/4	22	33.5	11.5	11.5	10	12.8
JOBN 13J-09U	13/16	9/16	22	35	13	10	9.5	15.97
JOBN 13J-12U	13/16	3/4	22	36.5	13	11.5	9.5	15.97
JOBN 13J-14U	13/16	7/8	27	39	13	13	9.5	15.97
JOBN 13J-17U	13/16	1 1/16	32	44.5	13	15.1	9.5	15.97
JOBN 19J-09U	1 3/16	9/16	30	38	17	10	15.3	22.37
JOBN 19J-12U	1 3/16	3/4	30	43.5	17	11.5	15.3	22.37
JOBN 19J-17U	1 3/16	1 1/16	32	48.5	17	15.5	15.3	22.37
JOBN 19J-21U	1 3/16	1 5/16	38	49.5	17	15.5	15.3	22.37
JOBN 23J-17U	1 7/16	1 1/16	38	50.5	18	15.5	20	27.1
JOBN 23J-21U	1 7/16	1 5/16	38	50.5	18	15.5	20	27.1
JOBN 23J-26U	1 7/16	1 5/8	50	53	17.5	15.1	15.5	27.1
JOBN 27J-26U	1 11/16	1 5/8	50	52.5	18	15.5	26	33.45
JOBN 32J-30U	2	1 7/8	55	54	18	15.5	32	41.37

**BULK HEAD, ADAPTOR**  
**JOBH**

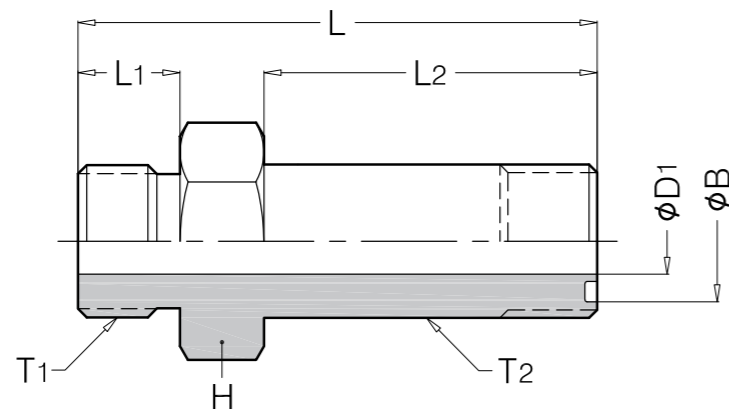


Part No.	T1 (UNF)	H	L	L1	L2	D1	B
JOBH 09J	9/16	22	48.5	10	31.5	4.5	11
JOBH 11J	11/16	27	54	11	34	6.5	12.8
JOBH 13J	13/16	30	58.5	13	36.5	9.5	15.97
JOBH 16J	1	32	66.5	15.5	40.5	12	19.2
JOBH 19J	1 3/16	38	69	17	41.5	15.3	22.37
JOBH 23J	1 7/16	46	70	18	42	20	27.1
JOBH 27J	1 11/16	50	70	18	42	26	33.45
JOBH 32J	2	60	70	18	42	32	41.37

**45° O-RING ELBOW**  
**JAW**



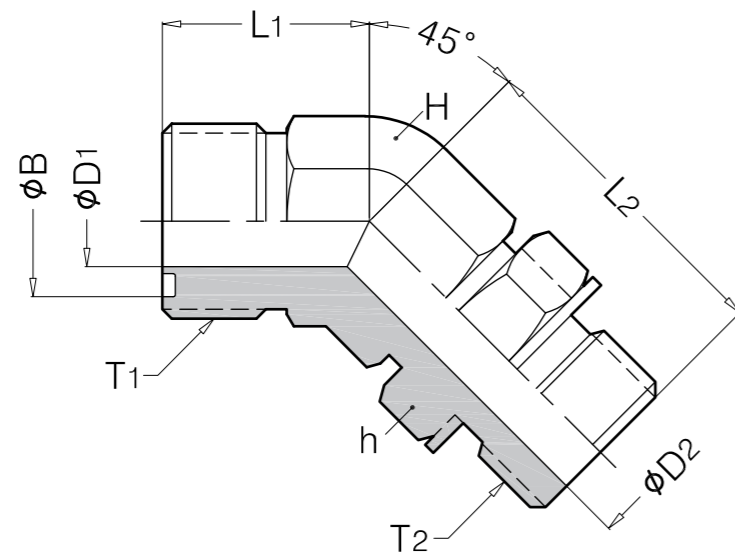
**O-RING BOSS(LONG)**  
**JOBL**



Part No.	T1 (UNF)	T2 (UNF)	H	L	L1	L2	D1	B
JOBL 07U-09J	7/16	9/16	16	52.5	9.5	34	4.5	11
JOBL 09U-11J	9/16	11/16	19	57.5	10	37	6.5	12.8
JOBL 12U-13J	3/4	13/16	22	68	11.5	44.5	9.5	15.97
JOBL 14U-16J	7/8	1	27	79	13	52.5	12	19.2
JOBL 17U-19J	1 1/16	1 3/16	32	95.5	15.5	64	15.3	22.37
JOBL 21U-23J	1 5/16	1 7/16	38	105	15.5	73	20	27.1
JOBL 26U-27J	1 5/8	1 11/16	50	121	15.5	86.5	26	33.45
JOBL 30U-32J	1 7/8	2	55	133.5	15.5	97	32	41.37

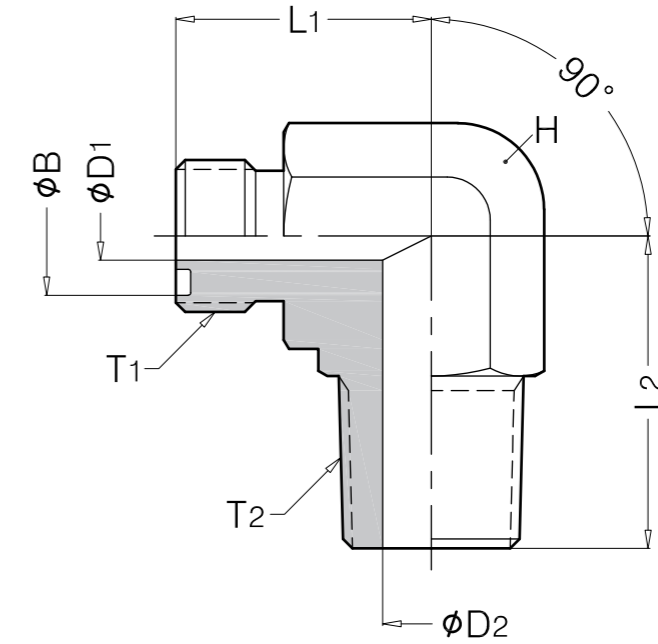
Part No.	T1 (BSPT)	T2 (UNF)	H	L1	L2	D1	D2	B
JAW 02R-09J	1/8	9/16	14	18	16	4.5	4.5	11
JAW 04R-09J	1/4	9/16	14	21	21	5.5	4.5	11
JAW 04R-11J	1/4	11/16	19	23.5	19	5.5	6.5	12.8
JAW 06R-11J	3/8	11/16	19	26	19	9	6.5	12.8
JAW 06R-13J	3/8	13/16	19	26	20.5	9	9.5	15.97
JAW 08R-13J	1/2	13/16	22	30	23	11.5	9.5	15.97
JAW 12R-19J	3/4	1 3/16	35	38	29	15.5	15.3	22.37
JAW 16R-23J	1	1 7/16	35	41	30	20	20	27.1
JAW 20R-27J	1 1/4	1 11/16	44	48	45	27	26	33.45

45° ELBOW, LOCK NUT  
**JWOA**



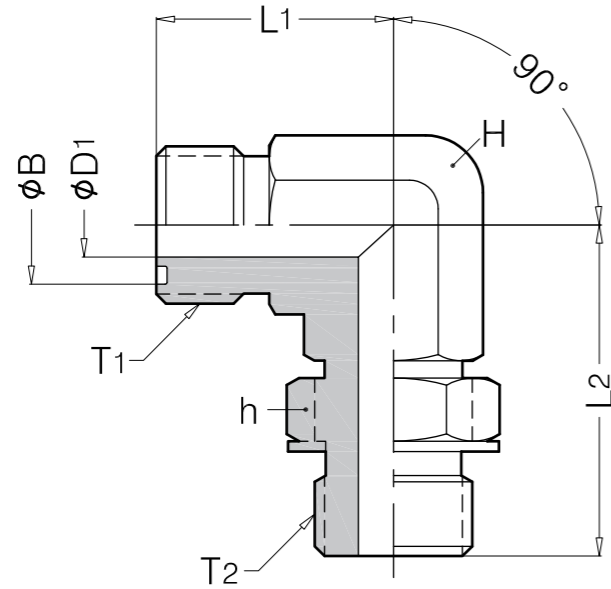
Part No.	T1 (UNF)	T2 (UNF)	H	h	L1	L2	D1	B	D2
JWOA 09J-07U	9/16	7/16	14	16	16	26.5	4.5	11	4.5
JWOA 09J-09U	9/16	9/16	19	19	17.5	30	4.5	11	7
JWOA 11J-09U	11/16	9/16	19	19	19	30	6.5	12.8	7
JWOA 11J-12U	11/16	3/4	19	24	19	36.5	6.5	12.8	10
JWOA 13J-12U	13/16	3/4	19	24	20.5	34.5	9.5	15.97	10
JWOA 13J-14U	13/16	7/8	22	27	20.5	38.5	9.5	15.97	11.5
JWOA 16J-12U	1	3/4	27	24	23.5	39.1	12	19.2	10
JWOA 16J-14U	1	7/8	27	27	23.5	43	12	19.2	11.5
JWOA 16J-17U	1	1 1/16	27	32	23.5	42	12	19.2	15.5
JWOA 19J-14U	1 3/16	7/8	35	27	29	43	15.3	22.37	11.5
JWOA 19J-17U	1 3/16	1 1/16	35	32	29	46	15.3	22.37	16
JWOA 23J-21U	1 7/16	1 5/16	35	38	30	47	20	27.1	20

90° O-RING ELBOW  
**JAL**



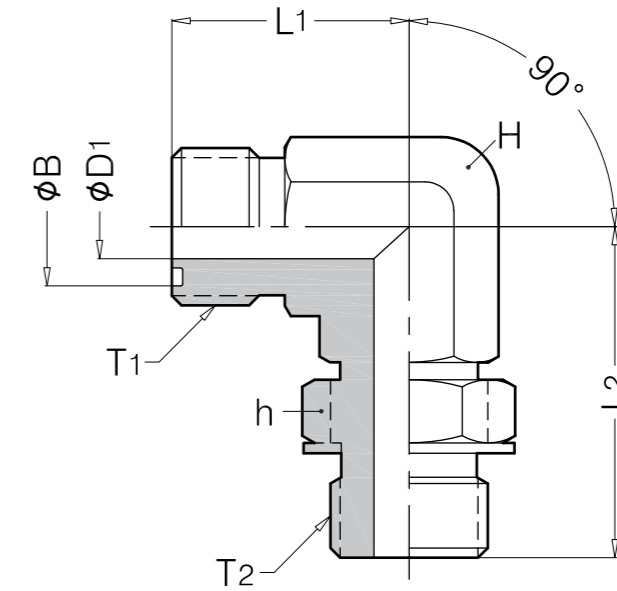
Part No.	T1 (BSPT)	T2 (UNF)	H	L1	L2	D1	D2	B
JAL 04R-09J	1/4	9/16	14	25	21.6	5.5	4.5	11
JAL 06R-09J	3/8	9/16	19	29	23.7	9	4.5	11
JAL 06R-11J	3/8	11/16	19	29	25.2	9	6.5	12.8
JAL 06R-13J	3/8	13/16	22	33	28	9	9.5	15.97
JAL 08R-11J	1/2	11/16	22	37	26.5	11.5	6.5	12.8
JAL 08R-13J	1/2	13/16	22	34	28	11.5	9.5	15.97
JAL 08R-19J	1/2	1 3/16	30	37	37.5	11.5	15.3	22.37
JAL 12R-16J	3/4	1	27	38	33.5	15.5	12	19.2
JAL 12R-19J	3/4	1 3/16	30	39	37.5	15.5	15.3	22.37
JAL 16R-19J	1	1 3/16	35	45	40.5	20	15.3	22.37
JAL 16R-23J	1	1 7/16	35	45	41.7	20	20	27.1
JAL 20R-27J	1 1/4	1 11/16	41	57	44.5	27	26	33.45

90° ELBOW, LOCK NUT  
**JLOA**



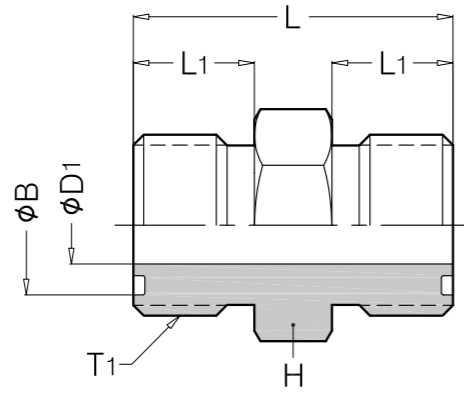
Part No.	T <sub>1</sub> (UNF)	T <sub>2</sub> (UNF)	H	h	L <sub>1</sub>	L <sub>2</sub>	D <sub>1</sub>	B	D <sub>2</sub>
JLOA 09J-07U	9/16	7/16	14	16	21.6	26.5	4.5	11	10
JLOA 09J-08U	9/16	1/2	14	16	22	31	4.5	11	5.5
JLOA 09J-09U	9/16	9/16	14	19	21.6	31.5	4.5	11	7
JLOA 09J-12U	9/16	3/4	19	24	21.5	36.5	4.5	11	10
JLOA 11J-07U	11/16	7/16	19	16	25.2	31.5	6.5	12.8	4.5
JLOA 11J-08U	11/16	1/2	19	16	25.2	31	6.5	12.8	5.5
JLOA 11J-09U	11/16	9/16	19	19	25.2	33.5	6.5	12.8	7
JLOA 11J-12U	11/16	3/4	19	24	25.2	36.5	6.5	12.8	10
JLOA 11J-14U	11/16	7/8	22	27	26.5	43	6.5	12.8	11.5
JLOA 13J-09U	13/16	9/16	19	19	28	36.5	9.5	15.97	7
JLOA 13J-12U	13/16	3/4	19	24	28	36.5	9.5	15.97	10
JLOA 13J-14U	13/16	7/8	22	27	28	43	9.5	15.97	11.5
JLOA 13J-17U	13/16	1 1/16	27	32	31	49	9.5	15.97	16
JLOA 16J-14U	1	7/8	27	27	33.5	45.5	12	19.2	11.5
JLOA 16J-17U	1	1 1/16	27	32	33.5	49	12	19.2	15.5
JLOA 19J-17U	1 3/16	1 1/16	30	32	37.5	47.5	15.3	22.37	16
JLOA 19J-21U	1 3/16	1 5/16	35	38	42	52	15.3	22.37	21
JLOA 23J-21U	1 7/16	1 5/16	36	38	41.7	57	20	27.1	21.5
JLOA 23J-26U	1 7/16	1 5/8	41	50	43.5	62	20.5	27.1	27.5

90° ELBOW, LOCK NUT  
**JLOB**



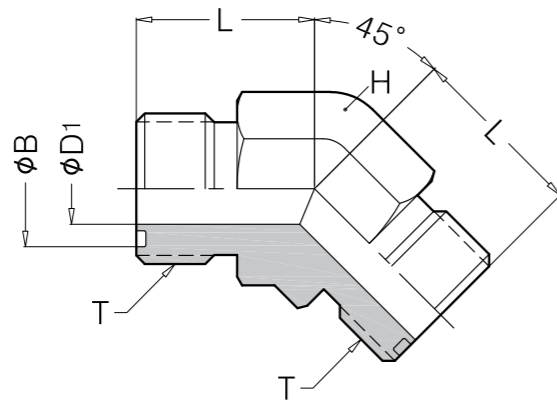
Part No.	T <sub>1</sub> (UNF)	T <sub>2</sub> (BSPP)	H	h	L <sub>1</sub>	L <sub>2</sub>	D <sub>1</sub>	B	D <sub>2</sub>
JLOB 09J-04G	9/16	1/4	14	19	21.6	31.5	4.5	11	5.5
JLOB 09J-06G	9/16	3/8	19	22	23.7	36.5	4.5	11	8
JLOB 11J-04G	11/16	1/4	19	19	25.2	33.5	6.5	12.8	5.5
JLOB 11J-06G	11/16	3/8	19	22	25.2	36.5	6.5	12.8	8
JLOB 11J-08G	11/16	1/2	22	27	27	43	6.5	12.8	11.5
JLOB 13J-06G	13/16	3/8	19	22	28	36.5	9.5	15.97	8
JLOB 13J-08G	13/16	1/2	22	27	28	43	9.5	15.97	11.5
JLOB 13J-12G	13/16	3/4	27	32	33.5	48	9.5	15.97	16
JLOB 16J-08G	1	1/2	27	27	33.5	45.5	12	19.2	11.5
JLOB 16J-12G	1	3/4	27	32	33.5	48	12	19.2	16
JLOB 19J-08G	1 3/16	1/2	30	27	37.5	46	15.3	22.37	11.5
JLOB 19J-12G	1 3/16	3/4	30	32	37.5	48	15.3	22.37	15.5
JLOB 19J-16G	1 3/16	1	36	41	40.7	56	15.3	22.37	20
JLOB 23J-12G	1 7/16	3/4	35	32	43	57.5	20	27.1	15.5
JLOB 23J-16G	1 7/16	1	36	41	41.7	56	20	27.1	20
JLOB 27J-20G	1 11/16	1 1/4	41	50	44.5	57	26	33.45	27

UNION, ADAPTOR  
**JS**



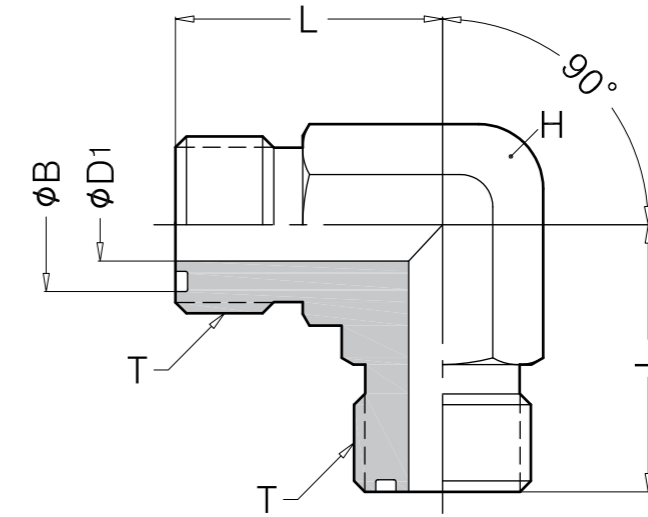
Part No.	T <sub>1</sub> (UNF)	H	L	L <sub>1</sub>	D <sub>1</sub>	B
JS 09J	9/16	16	27.5	10	4.5	11
JS 11J	11/16	19	31	11.5	6.5	12.8
JS 13J	13/16	22	35.5	13	9.5	15.97
JS 16J	1	27	42.5	15.5	12	19.2
JS 19J	1 3/16	32	47	17	15.3	22.37
JS 23J	1 7/16	38	49.5	18	20	27.1
JS 27J	1 11/16	46	51.5	18	26	33.45
JS 32J	2	55	53	18	32	41.37

45° ELBOW, UNION  
**JW**



Part No.	T (UNF)	H	L	D <sub>1</sub>	B
JW 09J	9/16	14	16	4.5	11
JW 11J	11/16	19	20	6.5	12.8
JW 13J	13/16	19	22	9.5	15.97
JW 16J	1	27	26	12	19.2
JW 19J	1 3/16	35	31	15.3	22.37
JW 23J	1 7/16	44	34	20	27.1
JW 27J	1 11/16	44	34	26	33.45

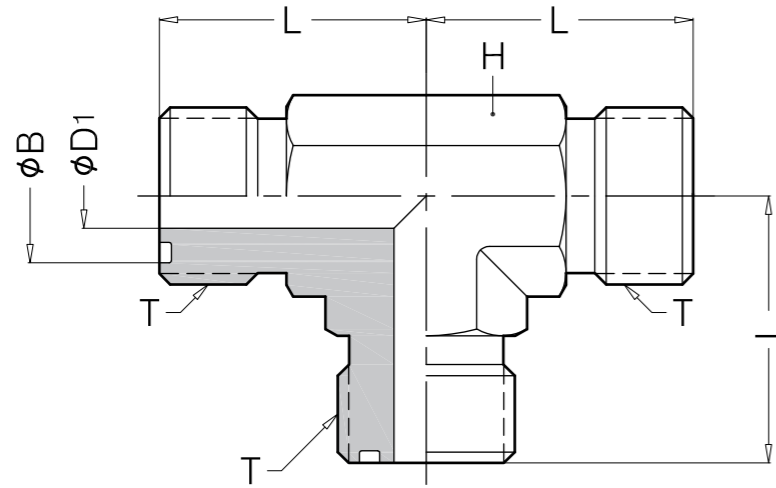
90° ELBOW, UNION  
**JL**



Part No.	T (UNF)	H	L	D <sub>1</sub>	B
JL 09J	9/16	14	21.6	4.5	11
JL 11J	11/16	19	25.2	6.5	12.8
JL 13J	13/16	19	28	9.5	15.97
JL 16J	1	27	33.5	12	19.2
JL 19J	1 3/16	30	37.5	15.3	22.37
JL 23J	1 7/16	36	41.7	20	27.1
JL 27J	1 11/16	41	44.5	26	33.45
JL 32J	2	50	49	32	41.37

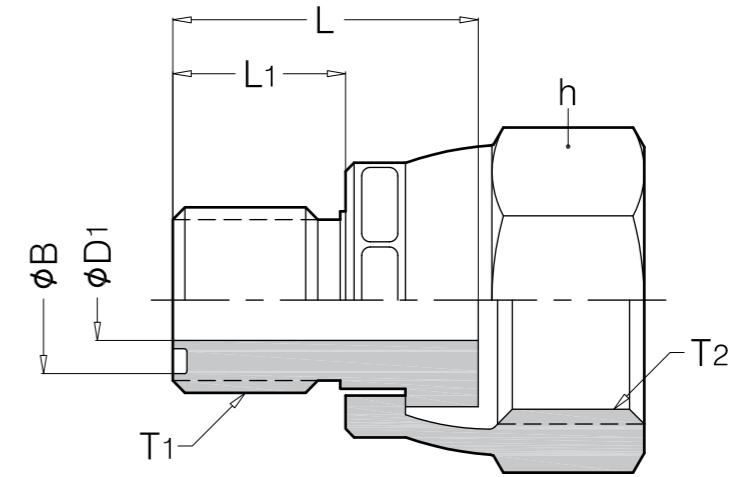


TEE, UNION  
**JT**



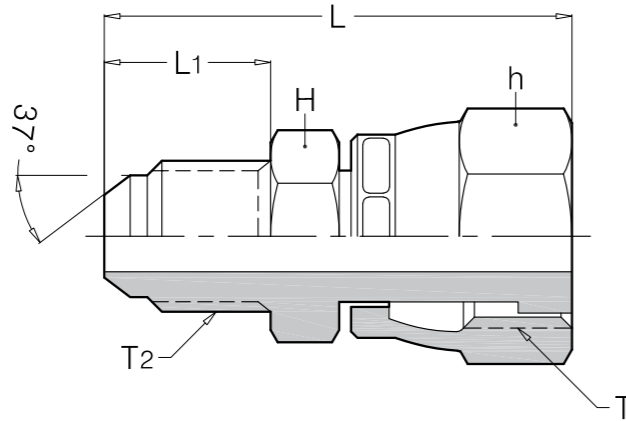
Part No.	T (UNF)	H	L	D <sub>1</sub>	B
JT 09J	9/16	14	21.6	4.5	11
JT 11J	11/16	19	25.2	6.5	12.8
JT 13J	13/16	19	28	9.5	15.97
JT 16J	1	27	33.5	12	19.2
JT 19J	1 3/16	32	37.5	15.3	22.37
JT 23J	1 7/16	36	41.7	20	27.1
JT 27J	1 11/16	41	44.5	26	33.45
JT 32J	2	50	49	32	41.37

ADAPTOR, ORFS SWIVEL  
**JPQ**



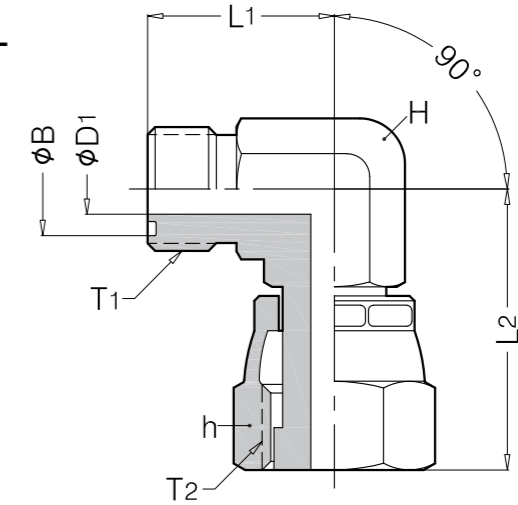
Part No.	T <sub>1</sub> (UNF)	T <sub>2</sub> (UNF)	h	L	L <sub>1</sub>	D <sub>1</sub>	B
JPQ 09J-09J	9/16	9/16	19	18.3	10	4.5	11
JPQ 09J-11J	9/16	11/16	22	18.85	10	4.5	11
JPQ 09J-13J	9/16	13/16	24	20.25	10	4.5	11
JPQ 09J-16J	9/16	1	30	23	10	4.5	11
JPQ 09J-19J	9/16	1 3/16	35	24.5	10	4.5	11
JPQ 11J-09J	11/16	9/16	19	19.8	11.5	6.5	12.8
JPQ 11J-11J	11/16	11/16	22	20.35	11.5	6.5	12.8
JPQ 11J-13J	11/16	13/16	24	21.75	11.5	6.5	12.8
JPQ 11J-16J	11/16	1	30	23.35	11.5	6.5	12.8
JPQ 11J-19J	11/16	1 3/16	35	25.5	11	6.5	12.8
JPQ 13J-13J	13/16	13/16	24	23.25	13	9.5	15.97
JPQ 13J-16J	13/16	1	30	24.85	13	9.5	15.97
JPQ 13J-19J	13/16	1 3/16	35	27.5	13	9.5	15.97
JPQ 19J-13J	1 3/16	13/16	24	27.5	13	9.5	22.37
JPQ 19J-16J	1 3/16	1	30	29.5	15.5	12	22.37
JPQ 19J-19J	1 3/16	1 3/16	35	29.5	17	15.3	22.37
JPQ 19J-23J	1 3/16	1 7/16	41	33	17	15.3	22.37
JPQ 23J-16J	1 7/16	1	30	32	15.5	12	27.1
JPQ 23J-19J	1 7/16	1 3/16	35	33	17	15.3	27.1
JPQ 23J-23J	1 7/16	1 7/16	41	33.5	17.5	20	27.1
JPQ 27J-19J	1 11/16	1 3/16	35	33.5	17	15.3	33.45
JPQ 27J-23J	1 11/16	1 7/16	41	34	17.5	20	33.45
JPQ 32J-27J	2	1 11/16	50	34	17.5	26	41.37

ADAPTOR, ORFS SWIVEL  
**JAQ**



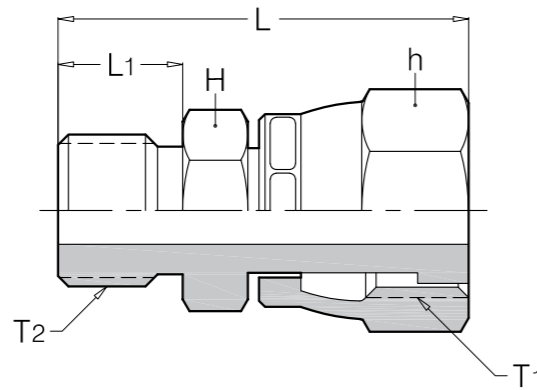
Part No.	T <sub>1</sub> (UNF)	T <sub>2</sub> (UNF)	H	h	L	L <sub>1</sub>
JAQ 09J-07U	9/16	7/16	17	19	38	15
JAQ 11J-09U	11/16	9/16	19	22	43	16
JAQ 13J-12U	13/16	3/4	22	27	48	18
JAQ 16J-14U	1	7/8	27	30	57	21
JAQ 19J-17U	1 3/16	1 1/16	32	35	63	24
JAQ 23J-21U	1 7/16	1 5/16	41	41	67	25
JAQ 27J-26U	1 11/16	1 5/8	46	50	73	28

90° ELBOW, ORFS SWIVEL  
**JLQ**



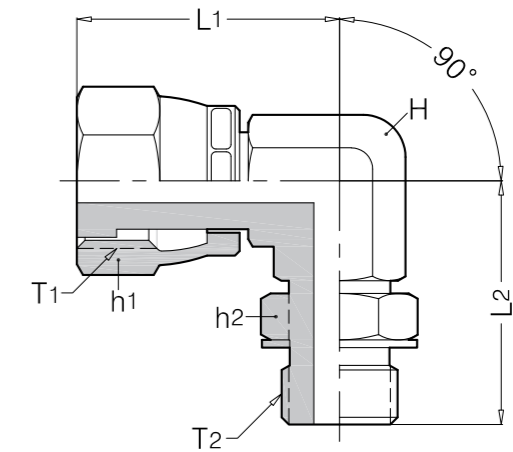
Part No.	T <sub>1</sub> (UNF)	H	h	L <sub>1</sub>	L <sub>2</sub>	D <sub>1</sub>	B
JLQ 09J	9/16	14	19	21.6	26.5	4.5	11
JLQ 11J	11/16	19	22	25.2	29	6.5	12.8
JLQ 13J	13/16	19	24	28	38	9.5	15.97
JLQ 16J	1	27	30	33.5	41	12	19.2
JLQ 19J	1 3/16	30	36	37.5	46.5	15.3	22.37
JLQ 23J	1 7/16	35	41	41.7	53	20	27.1
JLQ 27J	1 11/16	41	50	44.5	58	26	33.45

O-RING BOSS, ORFS SWIVEL  
**JNQ**



Part No.	T <sub>1</sub> (UNF)	T <sub>2</sub> (UNF)	H	h	L	L <sub>1</sub>
JNQ 09J-07U	7/16	9/16	17	19	33	9.5
JNQ 11J-09U	9/16	11/16	19	22	36	10
JNQ 13J-09U	9/16	13/16	27	24	41	10
JNQ 13J-12U	3/4	13/16	27	24	41	11.5
JNQ 13J-13U	13/16	13/16	27	24	38	13
JNQ 13J-14U	7/8	13/16	27	30	44	13
JNQ 16J-14U	7/8	1	30	30	47.5	13
JNQ 19J-17U	1 1/16	1 3/16	32	35	60	15.5
JNQ 23J-21U	1 5/16	1 7/16	41	41	56	15.5
JNQ 27J-26U	1 5/8	1 11/16	46	50	60	15.5

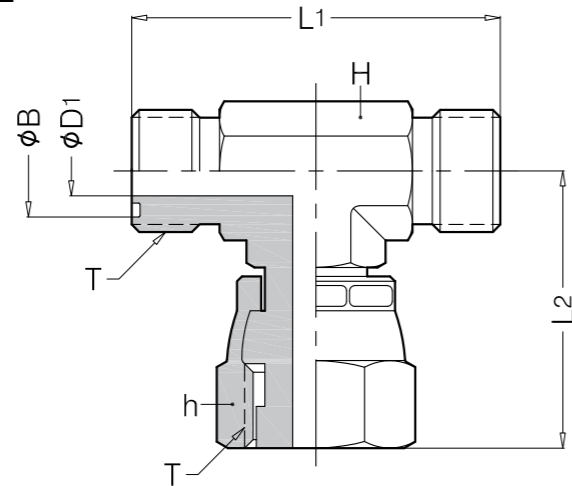
90° ELBOW, ORFS SWIVEL, LOCK NUT  
**QLOA**



Part No.	T <sub>1</sub> (UNF)	T <sub>2</sub> (UNF)	H	h <sub>1</sub>	h <sub>2</sub>	L <sub>1</sub>	L <sub>2</sub>
QLOA 09J-07U	9/16	7/16	14	19	16	26.5	30
QLOA 11J-09U	11/16	9/16	19	22	19	29	37
QLOA 13J-12U	13/16	3/4	19	27	24	34	40.5
QLOA 16J-14U	1	7/8	27	30	27	41	47
QLOA 19J-17U	1 3/16	1 1/16	32	35	32	46.5	52
QLOA 23J-21U	1 7/16	1 5/16	36	41	38	51	57
QLOA 27J-21U	1 11/16	1 5/16	41	50	50	58	62

BRANCH TEE, ORFS SWIVEL

**JBTQ**

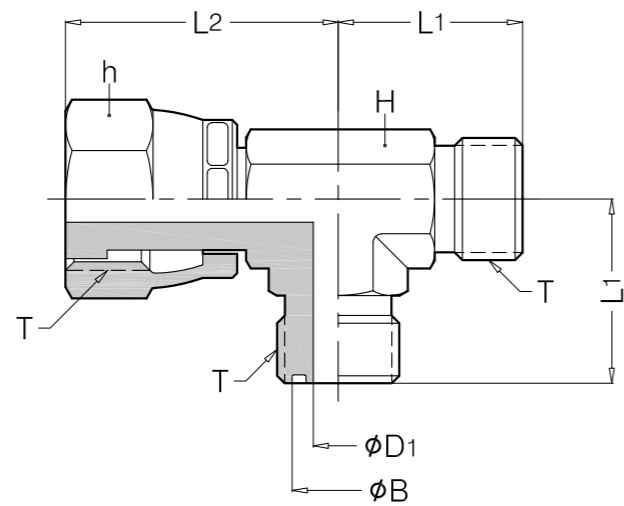


Part No.	T (UNF)	H	h	L1	L2	D1	B
JBTQ 09J	9/16	14	19	21.6	26.5	4.5	11
JBTQ 11J	11/16	19	22	25.2	29	6.5	12.8
JBTQ 13J	13/16	19	27	28	38	9.5	15.97
JBTQ 16J	1	27	30	33.5	41	12	19.2
JBTQ 19J	1 3/16	27	35	37.5	46.5	15.3	22.37
JBTQ 23J	1 7/16	36	41	41.7	53.5	20	27.1

**PLUG**

RUN TEE, ORFS SWIVEL

**JRTQ**



Part No.	T (UNF)	H	h	L1	L2	D1	B
JRTQ 09J	9/16	14	19	22.5	26.5	4.5	11
JRTQ 11J	11/16	19	22	26	29	6.5	12.8
JRTQ 13J	13/16	19	27	29	38	9.5	15.97
JRTQ 16J	1	27	30	34.5	41	12	19.2
JRTQ 19J	1 3/16	27	35	38.5	46.5	15.3	22.37
JRTQ 23J	1 7/16	36	41	42.5	53.5	20	27.1
JRTQ 27J	1 11/16	41	50	45.5	58	26	33.45