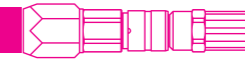




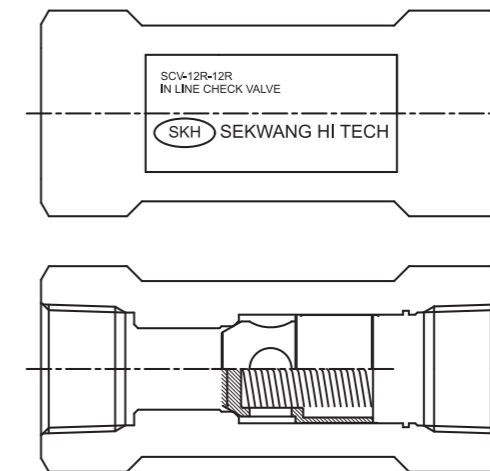
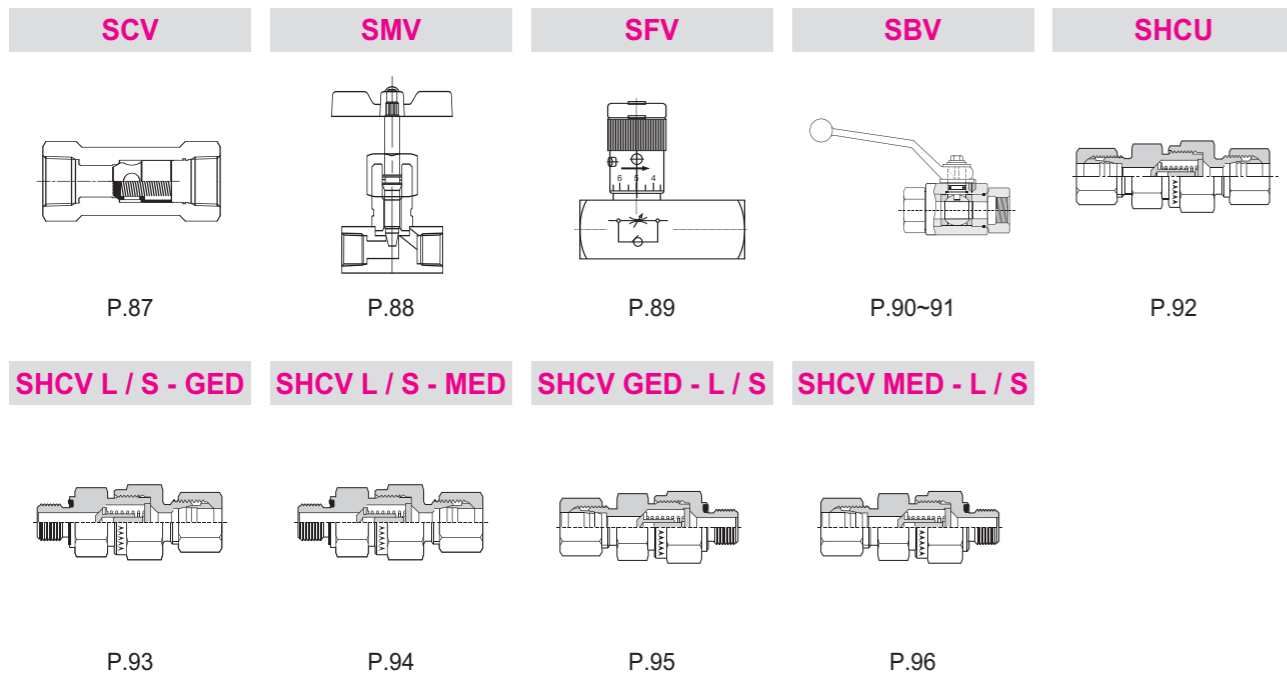
VALVE

These Hydraulic Valves are designed to meet working pressure up to 500 Bar and Sekwang normally uses Carbon steel. Also, we are flexible to change the thread type as customer's requirement. The total system design must be taken into consideration to ensure optimal performance and safety.

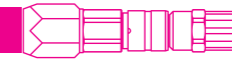




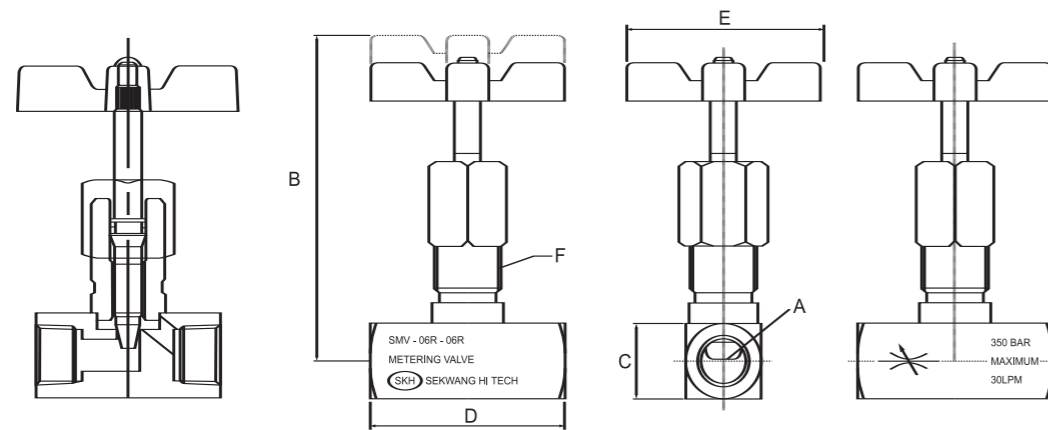
SKH IN LINE CHECK VALVE SCV



Part No.	Size	C.P(Mpa)
SCV-4R	5	0.035
SCV-6R	15	0.11
SCV-8R	20	0.14
SCV-12R	25	0.18
SCV-16R	30	0.21
SCV-20R	50	0.35
SCV-24R	60	0.46
SCV-32R	125	0.88

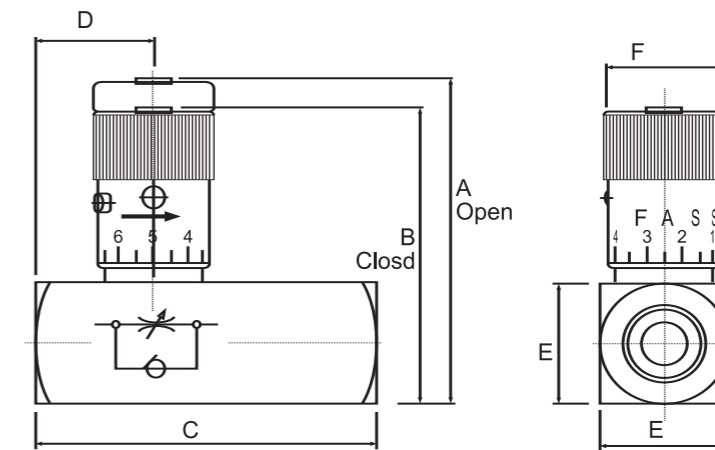


SKH METERING VALVE
SMV



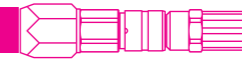
Part No.	A	B	C	D	E	F
SMV-4R	1/4"	66	20	50	50	M18
SMV-6R	3/8"	107	25	64	64	M22
SMV-8R	1/2"	129	32	66	82	M28
SMV-12R	3/4"	142	38	82	98	M33
SMV-16R	1"	147	45	108	98	M35

SKH FLOW CONTROL VALVE
SFV



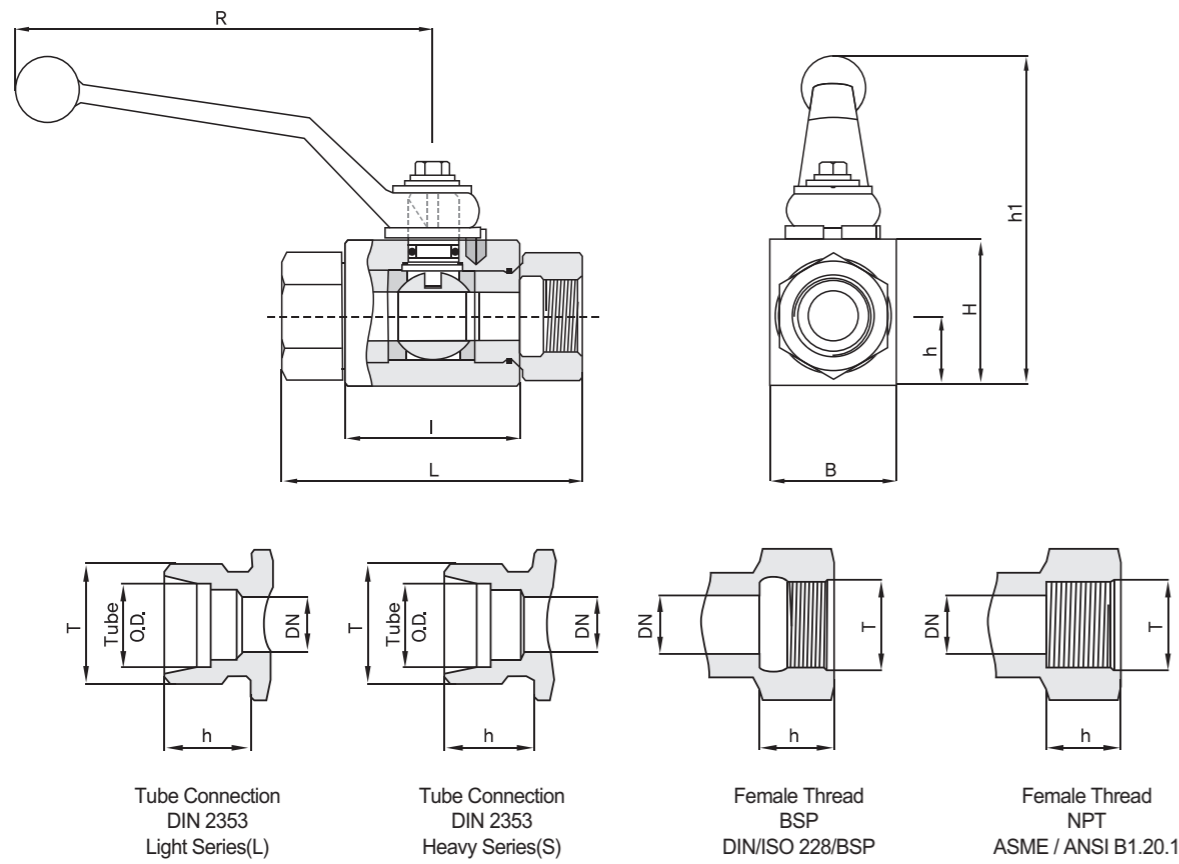
Part No.	SIZE	LPM	A	B	C	D	E	F
SFV-4R	1/4"	19	45.5	40.4	66.8	24	20	20.6
SFV-6R	3/8"	30	55.4	49.5	69.9	25	25	25.4
SFV-8R	1/2"	57	68.6	61.5	87.4	30	32	30.2
SFV-12R	3/4"	95	85.9	71.4	98.6	32	38	35.1
SFV-16R	1"	151	123.7	106.9	127	35	44	47.8

Check Valve Cracking Pressure : 0.4Bar



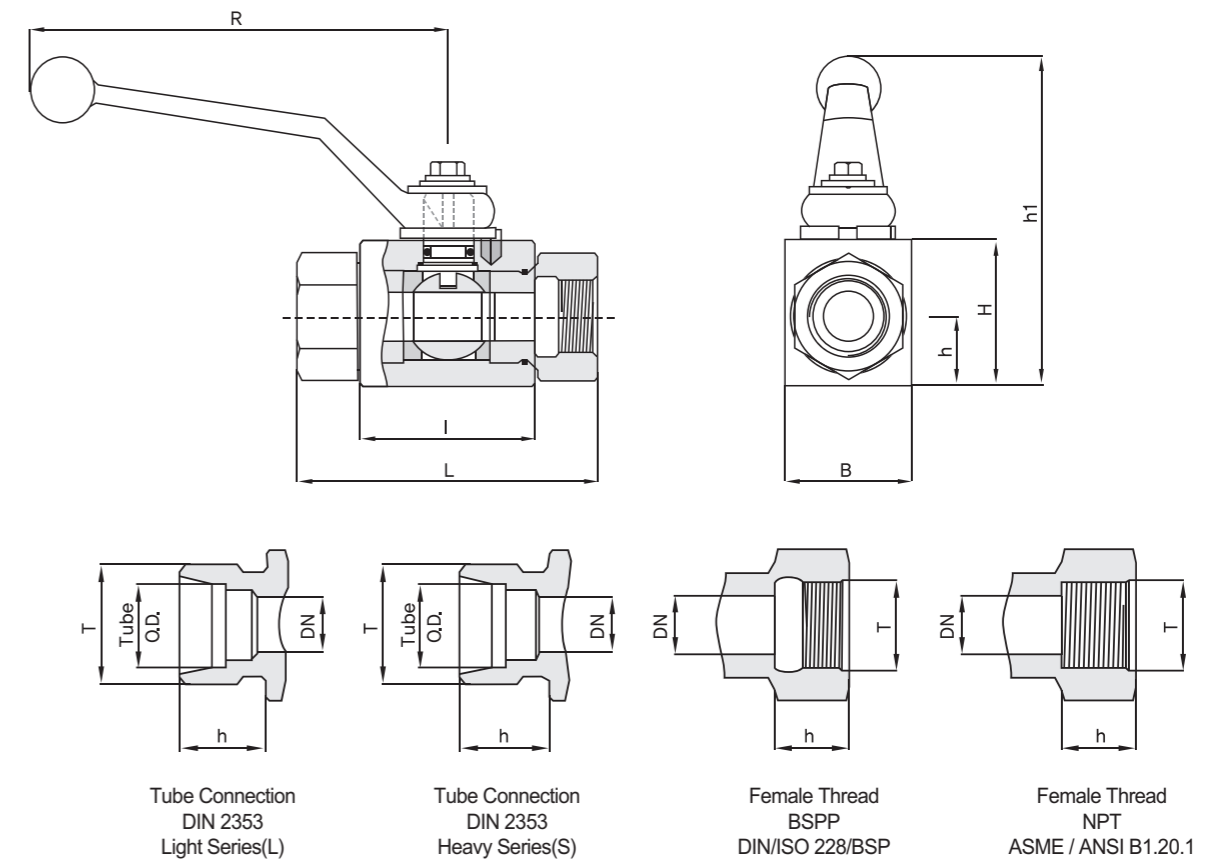
SKH BALL VALVE TO DIN STANDARD

SBV



SKH BALL VALVE TO DIN STANDARD

SBV



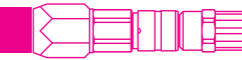
Female DIN / ISO 228 / BSP

Series	Part No.	Tube O.D.	DN	PB	B	H	h	h ₁	L	l	R	Thread T	Weight (kg)
DIN 2353 Light Series Tube (L)	6L	6	4	315	26	33	13.5	83	67	40	115	M12 X 1.5	0.4
	8L	8	6	315	26	33	13.5	83	67	40	115	M14 X 1.5	0.4
	10L	10	6	315	26	33	13.5	83	74	40	115	M16 X 1.5	0.5
	12L	12	10	315	32	38	17.5	88.5	74	43	115	M18 X 1.5	0.6
	15L	15	13	315	35	40	19	90	82	48	115	M22 X 1.5	0.7
	18L	18	13	315	35	40	19	90	82	48	115	M26 X 1.5	0.8
	22L	22	20	160	49	57	24.5	113	101	62	159	M30 X 1.5	2.1
DIN 2353 Heavy Series Tube (S)	28L	28	25	160	58	65	29.5	121	108	66.2	159	M36 X 1.5	2.3
	35L	35	25	160	58	65	29.5	121	112	66.2	159	M45 X 1.5	2.3
	8S	8	4	500	26	33	13.5	83	73	40	115	M16 X 1.5	0.4
	10S	10	6	500	26	33	13.5	83	73	40	115	M18 X 1.5	0.4
	12S	12	6	500	32	38	17.5	88.5	76	43	115	M20 X 1.5	0.5
	14S	14	10	500	32	38	17.5	88.5	80	43	115	M22 X 1.5	0.6
	16S	16	13	400	35	40	19	90	86	48	115	M24 X 1.5	0.7
20S	20	13	400	35	40	19	90	90	48	115	M30 X 2.0	0.8	
25S	25	20	315	49	57	24.5	113	109	62	159	M36 X 2.0	2.1	
30S	30	25	315	58	65	29.5	121	120	66.2	159	M42 X 2.0	2.3	
38S	38	25	315	58	65	29.5	121	124	66.2	159	M42 X 2.0	2.3	

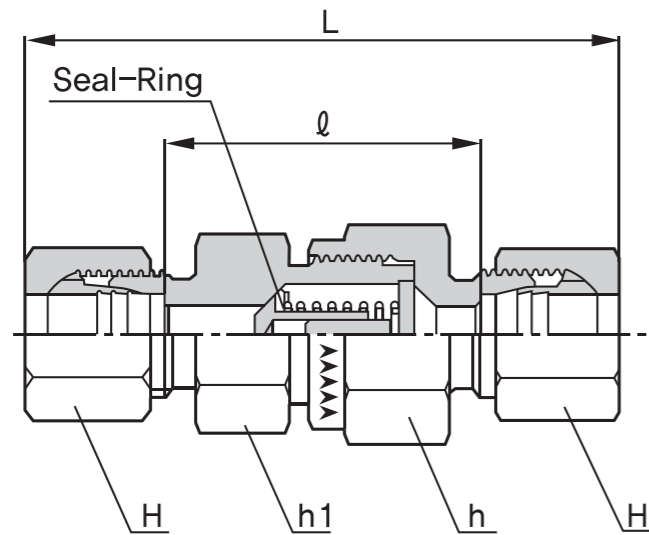
Female DIN / ISO 228 / BSP

Series	Part No.	DN	PB	B	H	h	h ₁	L	l	R	Thread T	Weight (kg)
Female DIN/ISO 228/BSP	2G	6	500	26	33	13.5	83	68.8	40	115	BSPP 1/8	0.4
	4G	6	500	26	33	13.5	83	68.8	40	115	BSPP 1/4	0.4
	6G	10	500	32	38	17.5	88.5	71.9	43	115	BSPP 3/8	0.6
	8G	13	500	35	40	19	90	82.3	48	115	BSPP 1/2	0.7
	12G	20	315	49	57	24.5	113	95.4	62	159	BSPP 3/4	1.6
	16G	25	315	58	65	29.5	121	112.7	66.2	159	BSPP 1	2.3
	20G	25	315	58	65	29.5	121	120	66.2	159	BSPP 1 1/4	2.3
	4R	6	500	26	33	13.5	83	68.8	40	115	BSPT 1/4	0.4
	6R	10	500	32	38	17.5	88.5	78	43	115	BSPT 3/8	0.6
	8R	13	500	35	40	19	90	104	48	115	BSPT 1/2	0.7
12R	20	315	49	57	24.5	113	102	62	159	BSPT 3/4	1.6	
16R	25	315	58	65	29.5	121	119	66.2	159	BSPT 1	2.3	
20R	25	315	58	65	29.5	121	130	66.2	159	BSPT 1 1/4	2.3	

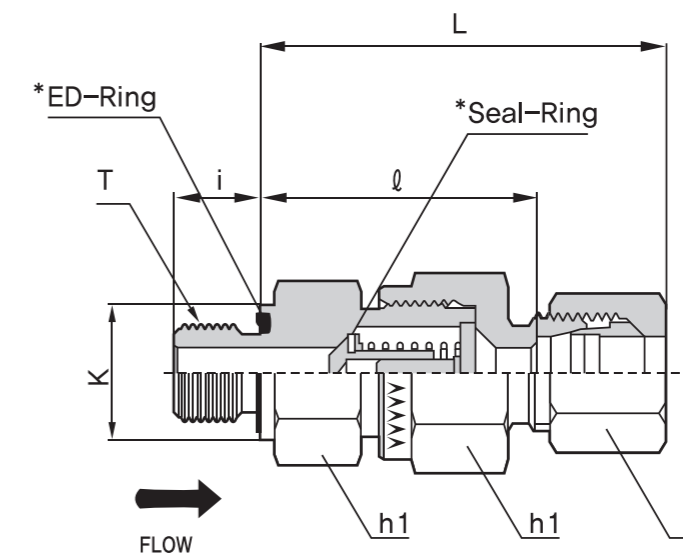
(1) DN is the max orifice / DN is available up to DN80 upon request / Please consult local authorized SKH representative.
 (2) PB in bar with a safety factor of 1.5 / All dimensions are in millimeters / Tube connections complete with sleeves and nuts.



SKH NON RETURN VALVE SHCV



SKH NON RETURN VALVE SHCV L/S - GED



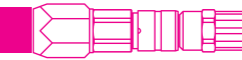
Series	Part No.	Tube O.D.	H	h	h ₁	L	l
L light PN 250	06L	6	14	17	17	58	29
	08L	8	17	19	19	59	30
	10L	10	19	24	22	69.5	40.5
	12L	12	22	30	27	72.5	43.5
	15L	15	27	32	27	77.5	47.5
PN 160	18L	18	32	36	36	83.5	51.5
	22L	22	36	46	41	93.5	61.5
PN 100	28L	28	41	55	50	102.5	69.5
	35L	35	50	60	60	117.5	74.5
	42L	42	60	70	65	119	74
S heavy PN 400	06S	6	17	19	19	63.5	34.5
	08S	8	19	19	19	63.5	34.5
	10S	10	22	24	22	72.5	40.5
	12S	12	24	27	24	74.5	42.5
	14S	14	27	32	27	82.5	47.5
	16S	16	30	36	32	86.5	50.5
	20S	20	36	46	41	97.5	54.5
PN 250	25S	25	46	50	46	106.5	58.5
	30S	30	50	60	60	122.5	69.5
	38S	38	60	70	65	136.5	75.5

Non Return Valve direction of fluid flow and pressure check

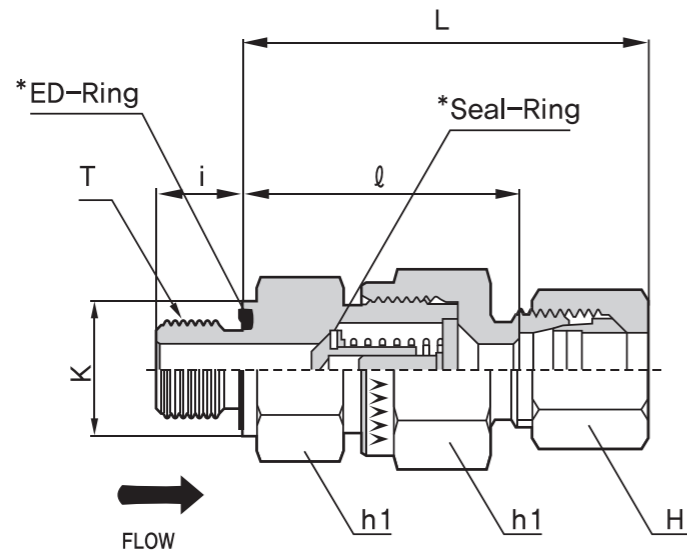
for BSP Parallel

Series	Part No.	Tube O.D.	H	h	h ₁	K	L	l	i	T
L light PN 250	02GED-06L	6	14	17	17	14	41	26.5	8	1/8
	04GED-08L	8	17	19	19	19	43	28.5	12	1/4
	04GED-10L	10	19	24	22	19	53	38.5	12	1/4
	06GED-12L	12	22	30	27	22	55	40.5	12	3/8
	08GED-15L	15	27	32	27	27	57.5	42.5	14	1/2
PN 160	08GED-18L	18	32	36	36	27	64	48	14	1/2
	12GED-22L	22	36	46	41	32	72	56	16	3/4
	16GED-22L	28	41	55	50	40	80.5	64	18	1
PN 100	20GED-35L	35	50	60	60	50	91.5	70	20	1 1/4
	24GED-42L	42	60	70	65	55	93	70.5	22	1 1/2
	04GED-06S	6	17	19	19	19	46	31.5	12	1/4
	04GED-08S	8	19	19	19	19	46	31.5	12	1/4
S heavy PN 400	06GED-10S	10	22	24	22	22	54	38	12	3/8
	06GED-12S	12	24	27	24	22	57	41	12	3/8
	08GED-14S	14	27	32	27	27	61	43.5	14	1/2
	08GED-16S	16	30	36	32	27	64	46	14	1/2
	12GED-20S	20	36	46	41	32	71.5	50	16	3/4
	16GED-25S	25	46	50	46	40	78.5	54.5	18	1
	20GED-30S	30	50	60	60	50	90.5	64	20	1 1/4
PN 250	24GED-38S	38	60	70	65	55	102	71.5	22	1 1/2

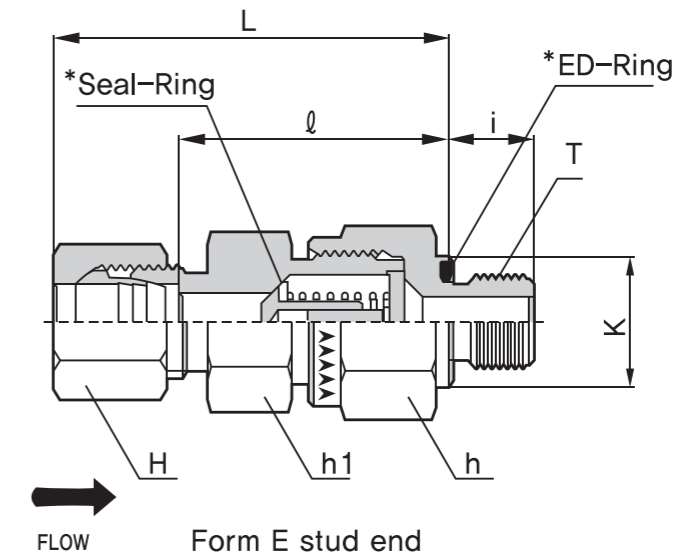
Non Return Valve direction of fluid flow and pressure check



SKH NON RETURN VALVE SHCV L/S - MED



SKH NON RETURN VALVE SHCV GED - L/S



for Metric Paralled

Series	Part No.	Tube O.D.	H	h	h ₁	K	L	ℓ	i	T
L light PN 250	M10ED-06L	6	14	17	17	14	41	26.5	8	M10X1.0
	M12ED-08L	8	17	19	19	17	43	28.5	12	M12X1.5
	M14ED-10L	10	19	24	22	19	53	38.5	12	M14X1.5
	M16ED-12L	12	22	30	27	22	55	40.5	12	M16X1.5
	M18ED-15L	15	27	32	27	24	57.5	42.5	12	M18X1.5
PN 160	M22ED-18L	18	32	36	36	27	64	48	14	M22X1.5
	M26ED-22L	22	36	46	41	32	72	56	16	M26X1.5
PN 100	M33ED-28L	28	41	55	50	40	80.5	64	18	M33X2.0
	M42ED-35L	35	50	60	60	50	91.5	70	20	M42X2.0
	M48ED-42L	42	60	70	65	55	93	70.5	22	M48X2.0
S heavy PN 400	M12ED-06S	6	17	19	19	17	46	31.5	12	M12X1.5
	M14ED-08S	8	19	19	19	19	46	31.5	12	M14X1.5
	M16ED-10S	10	22	24	22	22	54	38	12	M16X1.5
	M18ED-12S	12	24	27	24	24	57	41	12	M18X1.5
	M20ED-14S	14	27	32	27	26	61	43.5	14	M20X1.5
	M22ED-16S	16	30	36	32	27	64	46	14	M22X1.5
	M27ED-20S	20	36	46	41	32	71.5	50	16	M27X2.0
PN 250	M33ED-25S	25	46	50	46	40	78.5	54.5	18	M33X2.0
	M42ED-30S	30	50	60	60	50	90.5	64	20	M42X2.0
	M48ED-38S	38	60	70	50	55	102	71.5	22	M48X2.0

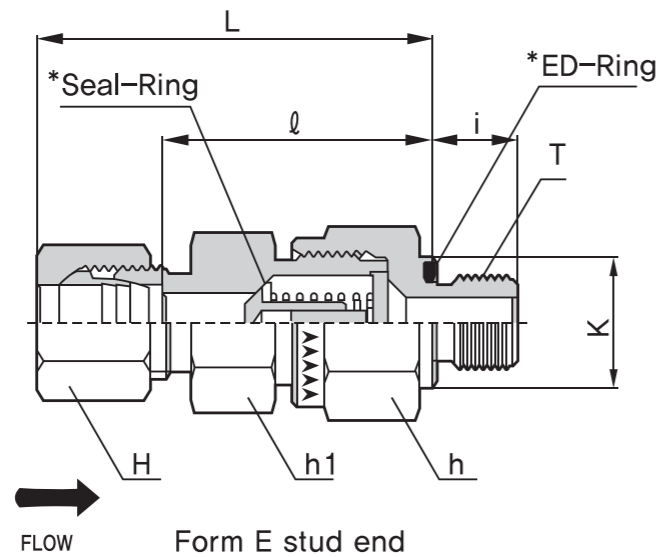
Non Return Valve direction of fluid flow and pressure check

for BSP Paralled

Series	Part No.	Tube O.D.	H	h	h ₁	K	L	ℓ	i	T
L light PN 250	06L-02GED	6	14	17	17	14	41	26.5	8	1/8
	08L-04GED	8	17	19	19	19	43	28.5	12	1/4
	10L-04GED	10	19	24	22	19	53	38.5	12	1/4
	12L-06GED	12	22	30	27	22	55	40.5	12	3/8
	15L-08GED	15	27	32	27	27	57.5	42.5	14	1/2
PN 160	18L-08GED	18	32	36	36	27	64	48	14	1/2
	22L-12GED	22	36	46	41	32	72	56	16	3/4
PN 100	22L-16GED	28	41	55	50	40	80.5	64	18	1
	35L-20GED	35	50	60	60	50	91.5	70	20	1 1/4
	42L-24GED	42	60	70	65	55	93	70.5	22	1 1/2
S heavy PN 400	06S-04GED	6	17	19	19	19	46	31.5	12	1/4
	08S-04GED	8	19	19	19	19	46	31.5	12	1/4
	10S-06GED	10	22	24	22	22	54	38	12	3/8
	12S-06GED	12	24	27	24	22	57	41	12	3/8
	14S-08GED	14	27	32	27	27	61	43.5	14	1/2
	16S-08GED	16	30	36	32	27	64	46	14	1/2
	20S-12GED	20	36	46	41	32	71.5	50	16	3/4
PN 250	25S-16GED	25	46	50	46	40	78.5	54.5	18	1
	30S-20GED	30	50	60	60	50	90.5	64	20	1 1/4
	38S-24GED	38	60	70	65	55	102	71.5	22	1 1/2

Non Return Valve direction of fluid flow and pressure check

SKH NON RETURN VALVE SHCV MED - L/S



for Metric Parallel

Series	Part No.	Tube O.D.	H	h	h ₁	K	L	l	i	T
L light PN 250	06L-M10ED	6	14	17	17	14	41	26.5	8	M10X1.0
	08L-M12ED	8	17	19	19	17	43	28.5	12	M12X1.5
	10L-M14ED	10	19	24	22	19	53	38.5	12	M14X1.5
	12L-M16ED	12	22	30	27	22	55	40.5	12	M16X1.5
	15L-M18ED	15	27	32	27	24	57.5	42.5	12	M18X1.5
PN 160	18L-M22ED	18	32	36	36	27	64	48	14	M22X1.5
	22L-M26ED	22	36	46	41	32	72	56	16	M26X1.5
PN 100	28L-M33ED	28	41	55	50	40	80.5	64	18	M33X2.0
	35L-M42ED	35	50	60	60	50	91.5	70	20	M42X2.0
	42L-M48ED	42	60	70	65	55	93	70.5	22	M48X2.0
S heavy PN 400	06S-M12ED	6	17	19	19	17	46	31.5	12	M12X1.5
	08S-M14ED	8	19	19	19	19	46	31.5	12	M14X1.5
	10S-M16ED	10	22	24	22	22	54	38	12	M16X1.5
	12S-M18ED	12	24	27	24	24	57	41	12	M18X1.5
	14S-M20ED	14	27	32	27	26	61	43.5	14	M20X1.5
	16S-M22ED	16	30	36	32	27	64	46	14	M22X1.5
	20S-M27ED	20	36	46	41	32	71.5	50	16	M27X2.0
PN 250	25S-M33ED	25	46	50	46	40	78.5	54.5	18	M33X2.0
	30S-M42ED	30	50	60	60	50	90.5	64	20	M42X2.0
	38S-M48ED	38	60	70	50	55	102	71.5	2	M48X2.0

Non Return Valve direction of fluid flow and pressure check